

Osiris

Osiris from Ambient Lighting



Osiris 48

The first unit in the new Osiris family of LED products from AVR Ledion, the Osiris 48, was launched in May 2008, and has proved a resounding success. This unit now uses 48 CREE XRE LEDs, and adds a new dimension to the LEDION 1 watt product range. All Osiris products are suitable for interior or exterior applications, with a water and dust protection of at least IP65.

Manufactured in the UK, the powerful Osiris 48 is compact, stylish and keenly priced, and is available in three finishes (see spec). The standard lens configuration uses 25 x 8° lenses for the two middle rows and 25 x 25° for the outer two rows – this combination gives good throw together with good side coverage. Any other configuration using the lenses shown in the specs can be supplied to order. The standard LED configuration is RGBW, but again other configurations including single colour or white are available to order – see specs for details. To give an idea of the power of the unit, we, using all narrow 8° lenses and RGBW LEDs, managed, at dusk, to clearly light a large tree at 60 metres from the Osiris!

The Osiris 48 with integral driver has waterproof membranes for setting the onboard control, and is useful for any applications that require a stand alone solution, particularly for exterior work cannot be sited in an interior location.



Rear of Osiris 48 showing optional integral driver



Unit 17, Spalding Road Business Park, Bourne,
 Lincs PE10 9LF, England
 Tel: 44(0)1778 394 647 Fax: 44(0) 01778 420 355
 Email: info@amblight.co.uk
 Internet: www.amblight.co.uk

The half size Osiris 24 (with 24 LEDs) is a later addition to the range as is the RGB tricolour single chip version (CE18 RGB mixed from a single source), also available in the larger Osiris (Osiris 36)

The full colour versions are favoured when the LEDs are in view.



Osiris 36 single LED chip version

Osiris 48 specifications:

- IP 66 – for exterior or interior.
- Driver required for each unit: 1 x LUD48
- Power consumption: 60watt
- 48 x CREE 1w XRE LEDs
- Standard unit: 340mm (w) x 135mm (h) x 85mm (d)
 - bracket adds 340mm to depth, and at 90° 22mm to the height
- Integral driver unit: 110mm (h) x 135mm (h) x 85mm (d)
 - bracket at 90° adds 20mm.
- Weights: Standard unit 2.2kg, Integral unit 3kg
- Mount bracket: 2mm steel with lock nuts
- Case colour options: carbon black, diamond white, metallic silver
- LED colour variants: R/G/B/W, R/G/B/WW/CW, R/G/B/A or all white (WW or CW) or all single colour
- Rear mounted RJ45 1.5m lead to connect to LUD48 driver.
- Housing: composite, cast aluminium, steel
- Lens options: 8°, 25°, 25 x 8°, 40°.
 Lens options for single chip units: 8°, 20°, 20 x 8°, 40°.



Osiris 48 side view

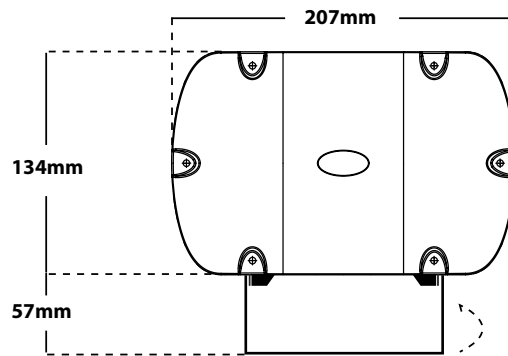
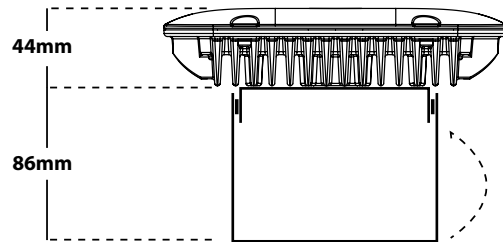
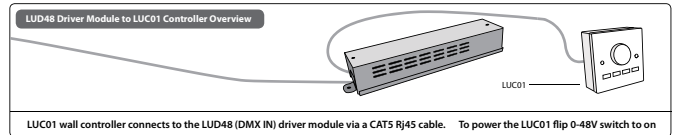
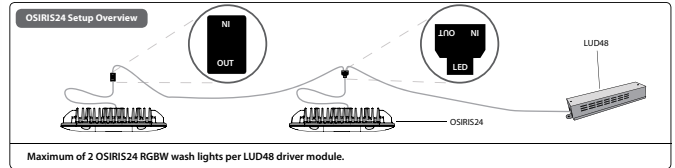
OSIRIS

Osiris from Ambient Lighting



Osiris 24

Half size (to the Osiris 48) 24 LED Osiris, two can be driven from one LUD48 driver, see diagram below



Osiris 12 (AR11 size)

As with all Osiris products available in white, black or silver, and lens angle options 8 x 8°, 25 x 25° or 25 x 8° (wall wash)



Unit 17, Spalding Road Business Park, Bourne, Lincs PE10 9LF, England
 Tel: 44(0)1778 394 647 Fax: 44(0) 01778 420 355
 Email: info@amblight.co.uk Internet: www.amblight.co.uk